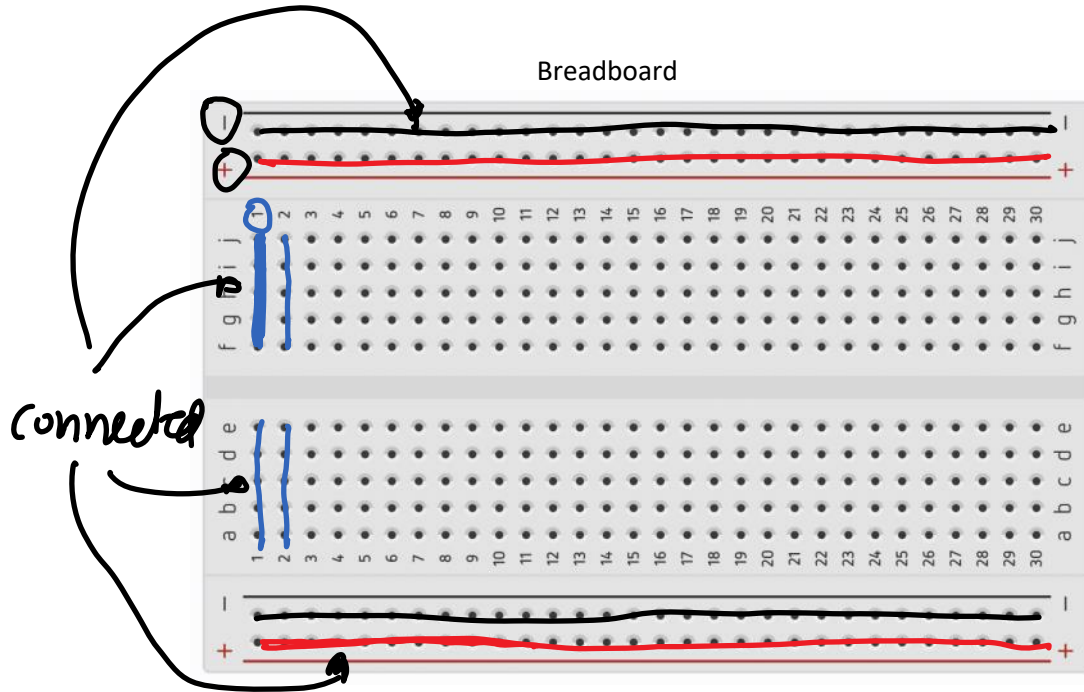
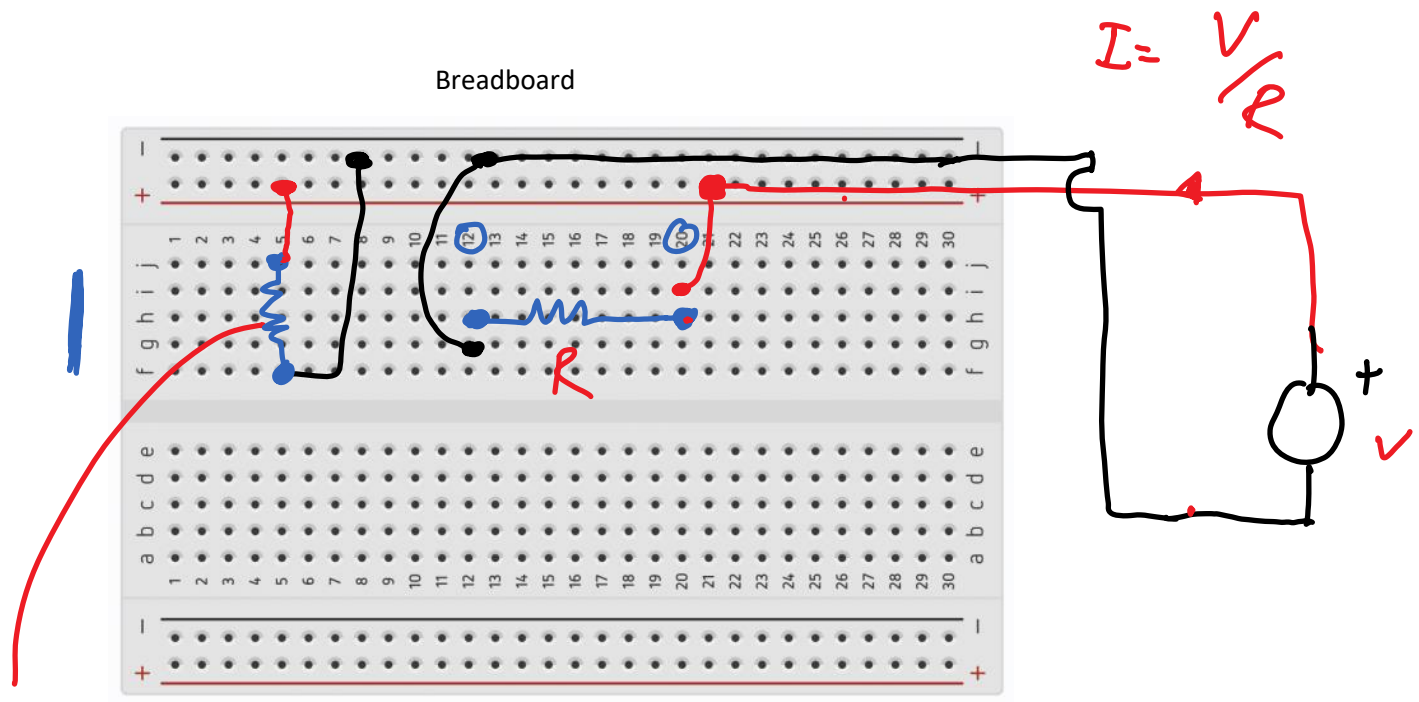


2.10 Practical considerations



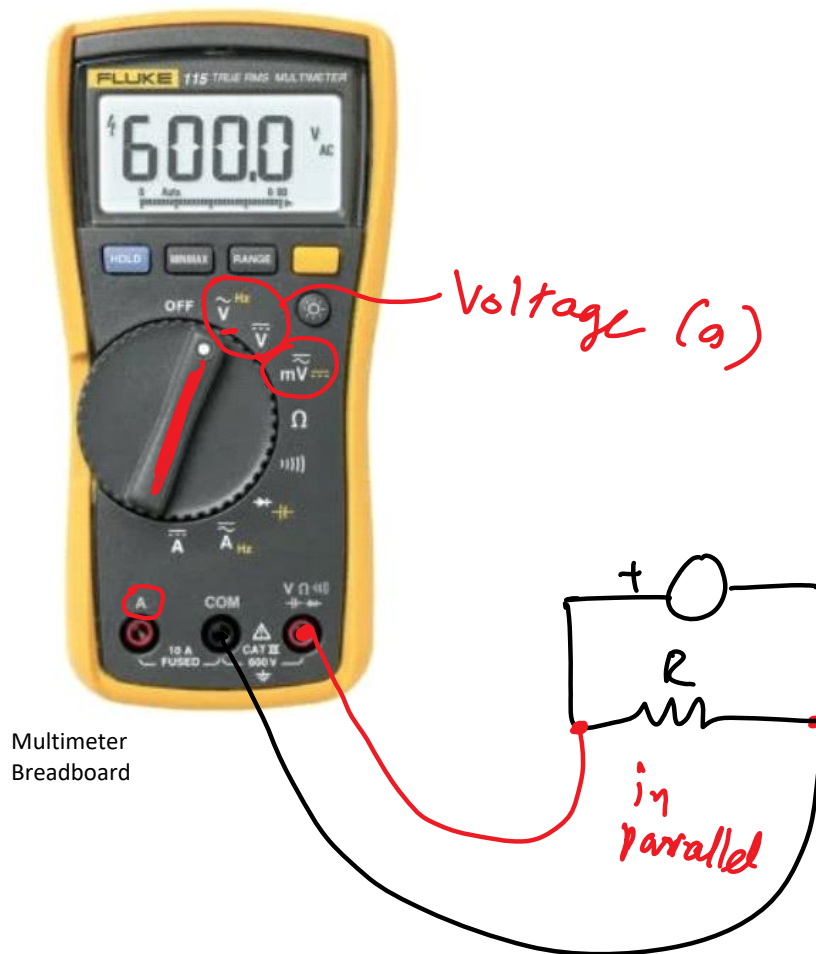


$I = 0$ Because the two ends of the resistor are at the same potential / voltage.

Multimeter

Voltage \rightarrow connect in parallel (Voltmeter)

Current \rightarrow connect in series (Ammeter)

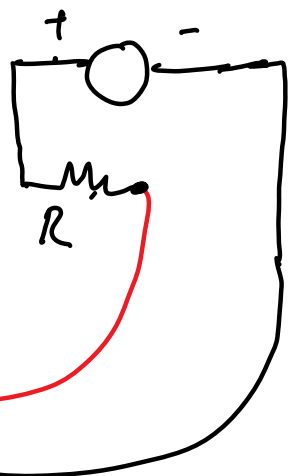


b) voltage

a) knob

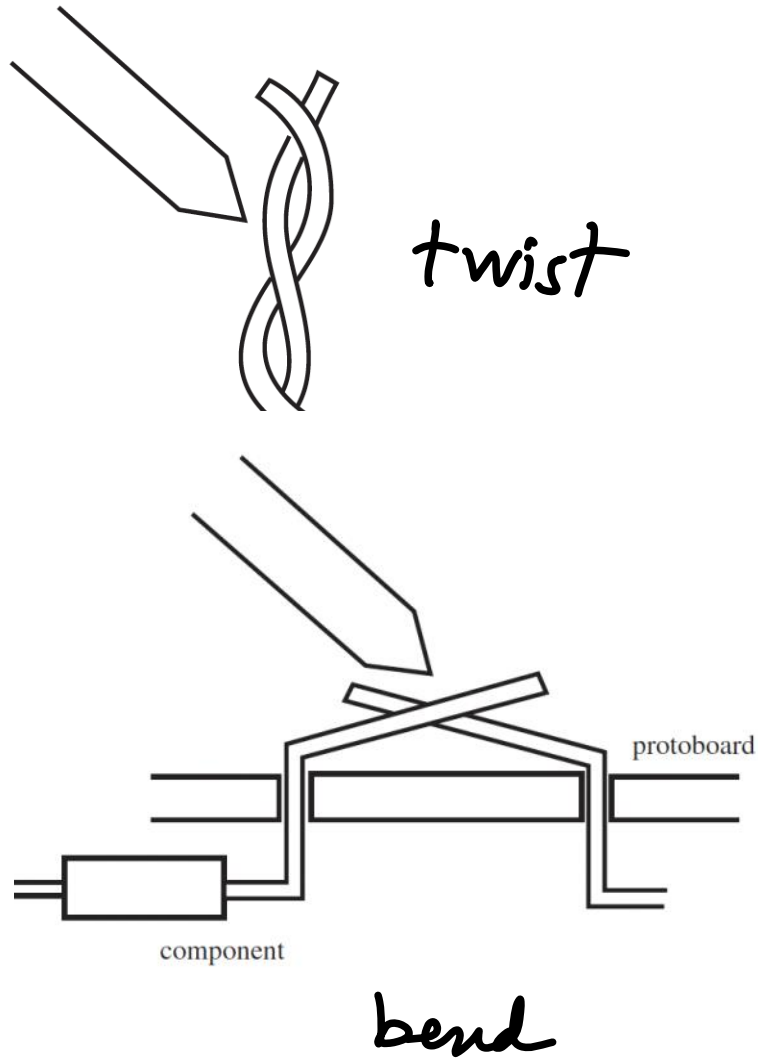


Multimeter
Breadboard

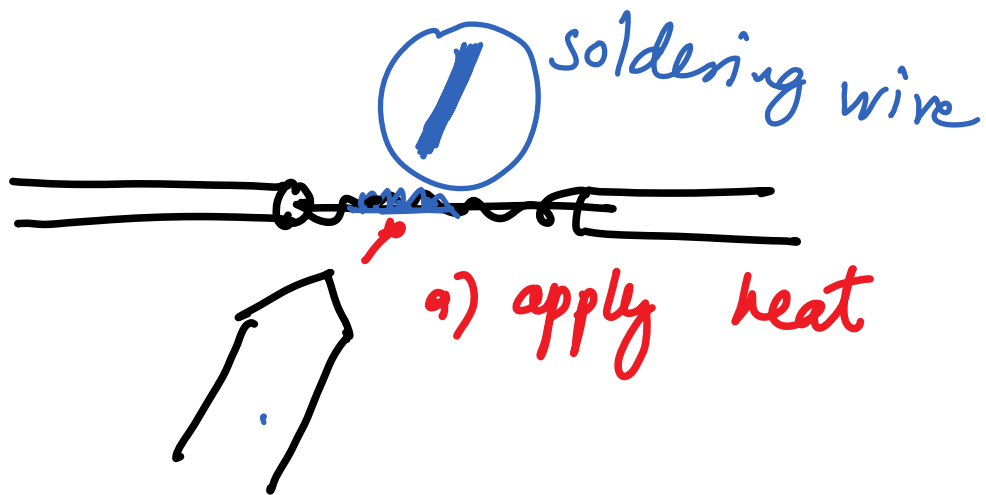


b) in series

a) Good mechanical connection



b) Electrical



④ Static electricity

wollen, polyamide, acrylic

always discharge electricity before touching electronics.

to discharge electricity touch a metallic object on you (e.g. coin, key) to a metallic object on the ground. This will avoid any sparks, but will discharge the charge